

MENABO

free time on the move

ANTARES 2 ANTARES 3

IT Istruzioni di montaggio

EN Fitting instructions

DE Montageanleitung

FR Instructions de montage

ES Instrucciones de montaje

BG инструкции за сглобяване

CS Návod na montáž

DA Monteringsvejledning

EL Οδηγίες συναρμολόγησης

ET Paigaldusjuhend

FI Asennusohje

HR Uputa za sastavljanje

HU A felszerelés módja

LT Pritvirtinimo instrukcijos

LV Stiprināšanas instrukcija

NL Instrukcja montażu

NO Monteringsveiledning

PL Instrukcja montażu

PT Instruções de Montagem

RO Instrucțiuni de montare

RU Инструкции по установке

SK Návod na montáž

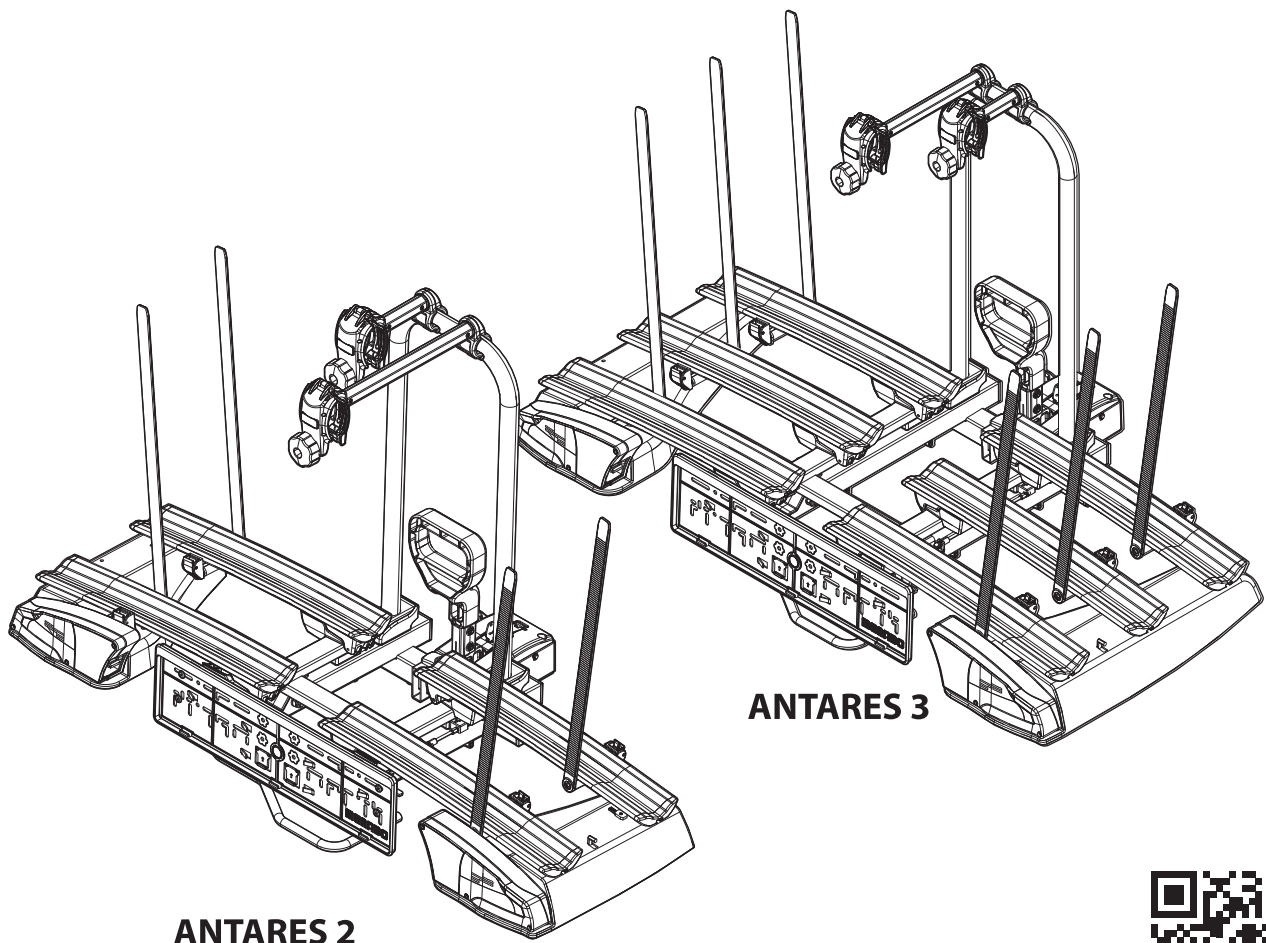
SL Navodila za pritrdjevanje

SV Monteringsanvisning

TK Uydurma talimat

ZH 裝修指導

AR تعليمات التجميع



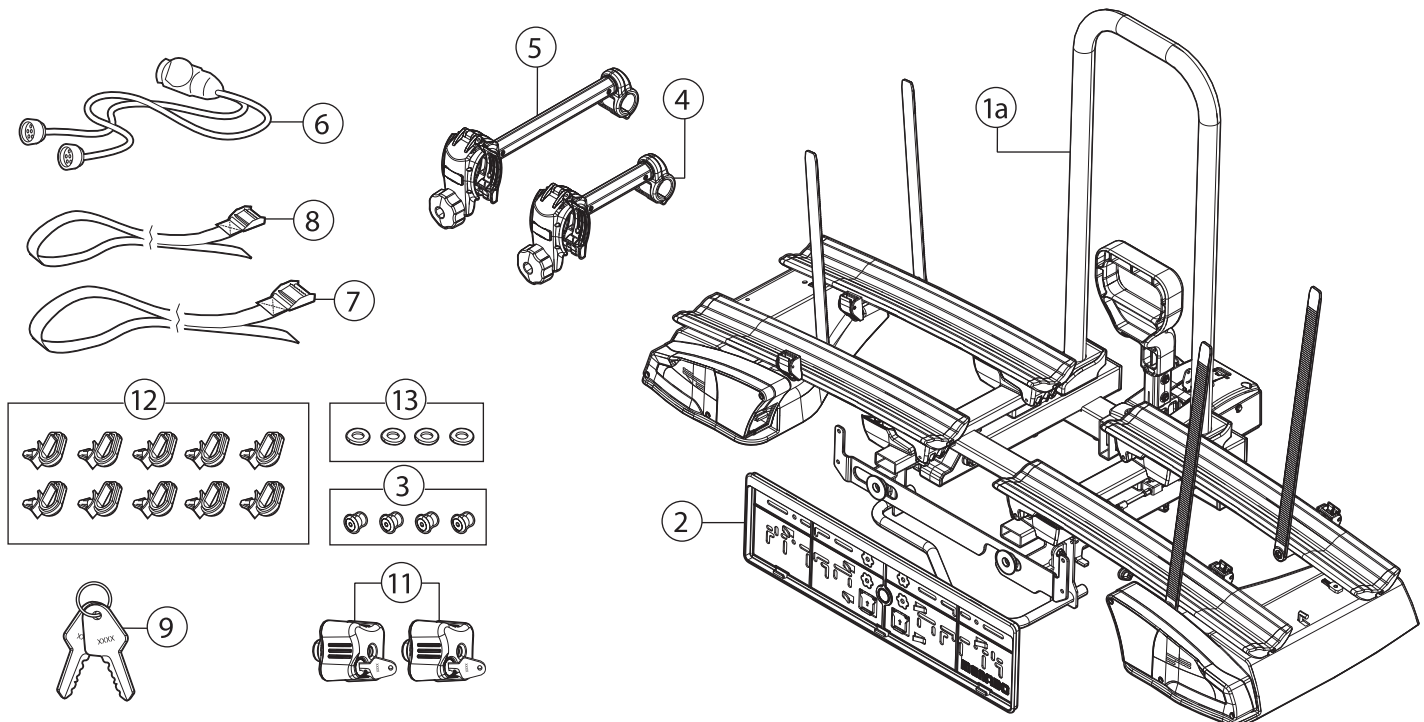
Made in Italy



ANTARES 2

N.	[IT]Componenti (Inclusi) [EN]Components (Included) [FR]Composants (Comprises) [DE]Die Komponenten (im Lieferumfang enthalten) [ES]Componentes (Incluido)	Q.
1a		1
2		1
3		4
4		1
5		1
6		1
7	2,5m - 8ft	1
8	1m - 3ft	1
9		2
11		2
12		10
13	$\varnothing 5 \times 15$	4

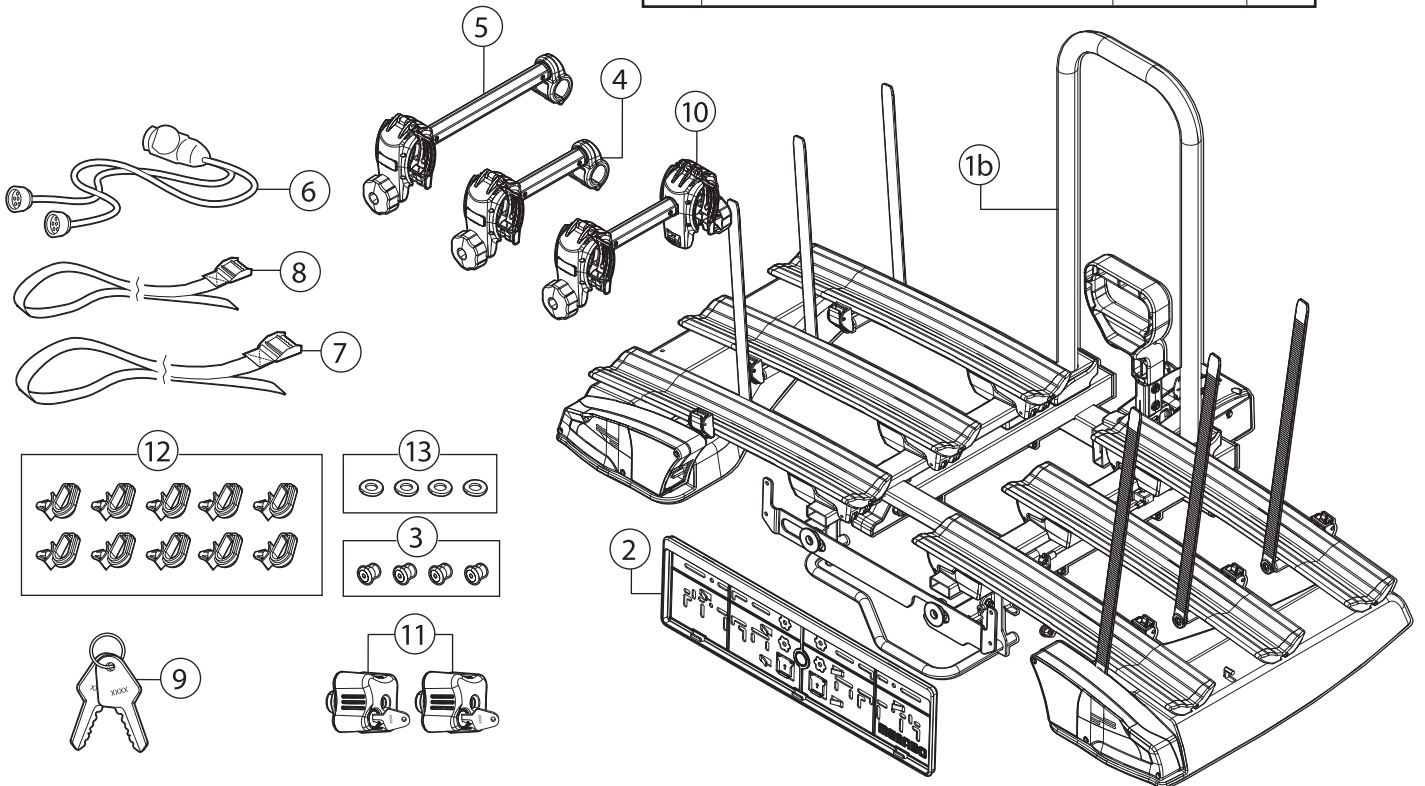
N.	[IT]Ricambi (A Richiesta) [EN]Spare Parts (Made to order) [FR]Pièces de rechange (Sur commande) [DE]E Teile (auf Anfrage) [ES]Piezas de recambio (Previa solicitud)	Codice-Code-Código	Q.
2		700007500000	1
3		700044400000	4
13	$\varnothing 5 \times 15$		4
4		700003200000	1
5		700003100000	1
6		700033600000	1
7	2,5m - 8ft	700001100000	1
8	1m - 3ft	700033400000	1
11		000026400000	1
12		700024000000	2
A	dx	700033700000	1
B	sx	700033800000	1
C	sx	700044300000	1
D	dx	700044200000	1
E		700034100000	2
F	+	700031500000	1
G	sx	700031300000	1
H	dx	700031400000	1
I		700046100000	1



ANTARES 3

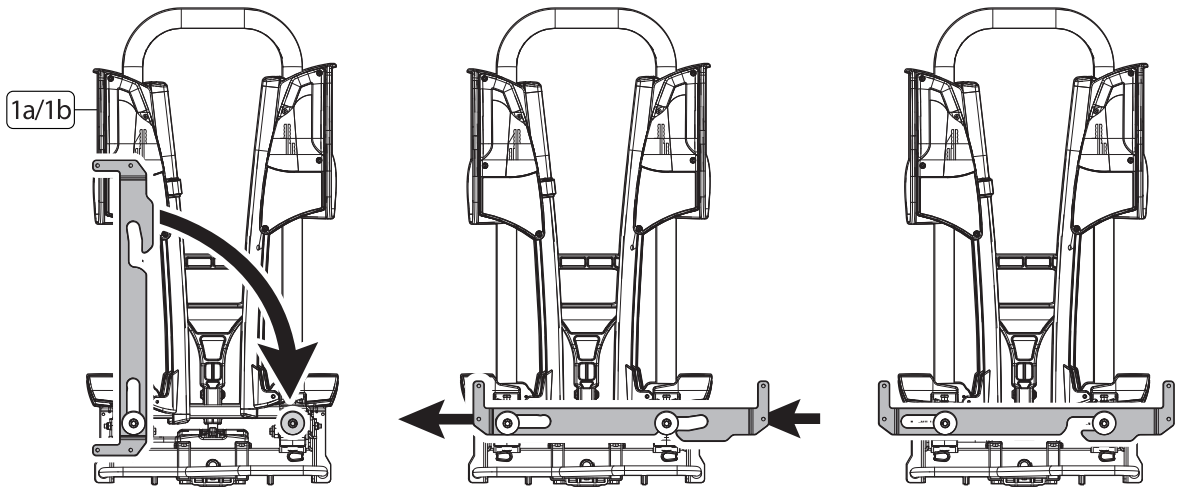
N.	[IT]Componenti (Inclusi) [EN]Components (Included) [FR]Composants (Comprises) [DE]Die Komponenten (im Lieferumfang enthalten) [ES]Componentes (Incluido)	Q.
1b		1
2		1
3		4
4		1
5		1
10		1
6		1
7		1
8		1
9		2
11		4
12		10
13		4

N.	[IT]Ricambi (A Richiesta) [EN]Spare Parts (Made to order) [FR]Pièces de rechange (Sur commande) [DE]E Teile (auf Anfrage) [ES]Piezas de recambio (Previa solicitud)	Codice-Code-Código	Q.
2		700007500000	1
3		700044400000	4
13			4
4		700003200000	1
5		700003100000	1
6		700033600000	1
7		700001100000	1
8		700033400000	1
10		700006900000	1
11		000026400000	1
12		700024000000	2
A		700033700000	1
B		700033800000	1
I		700034000000	1
L		700033900000	1
E		700034100000	2
F		700031500000	1
G		700031300000	1
H		700031400000	1
I		700046100000	1

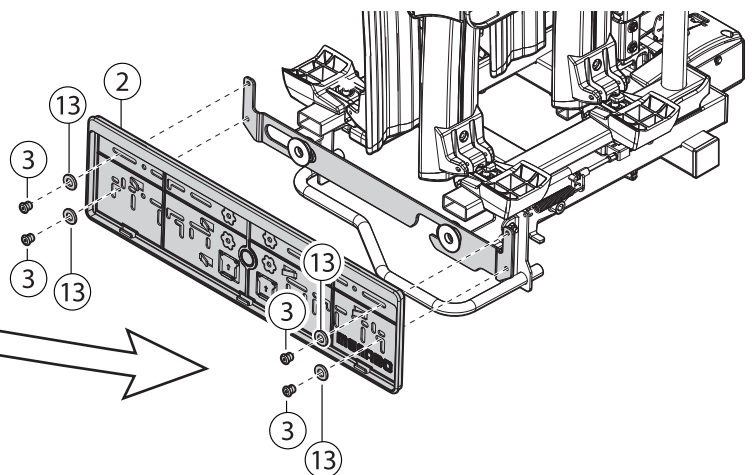
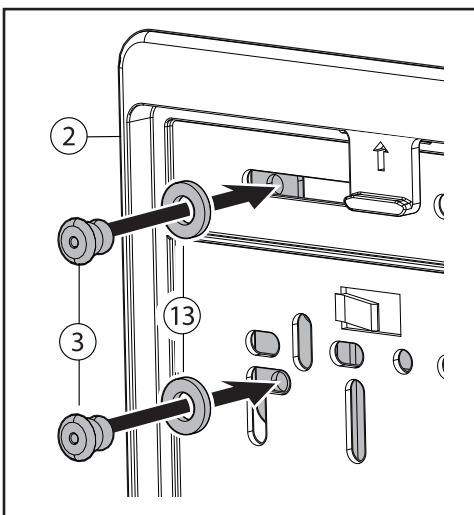
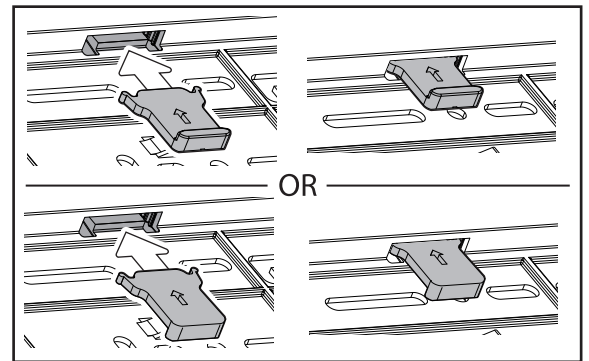
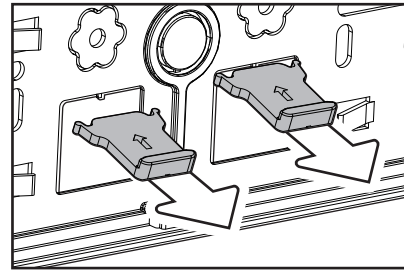
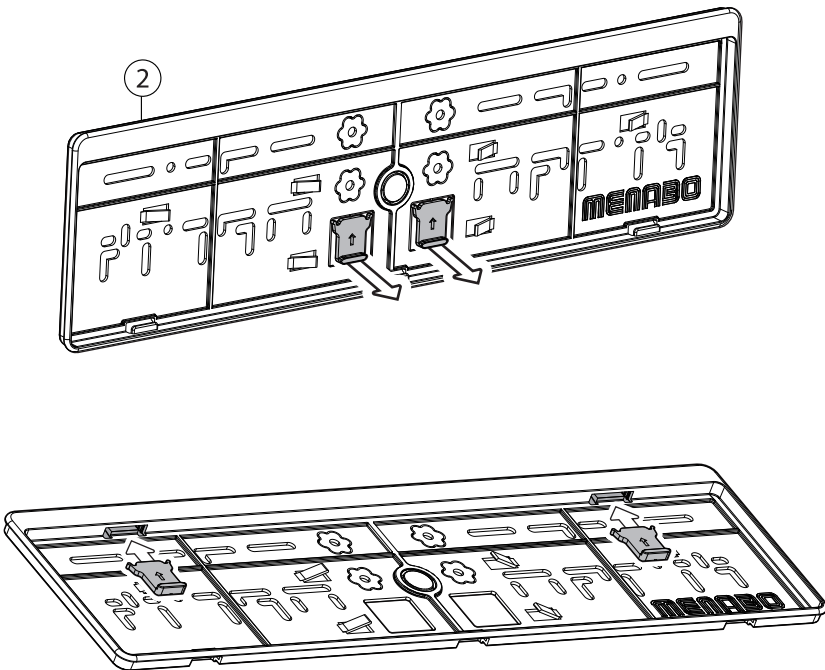


①

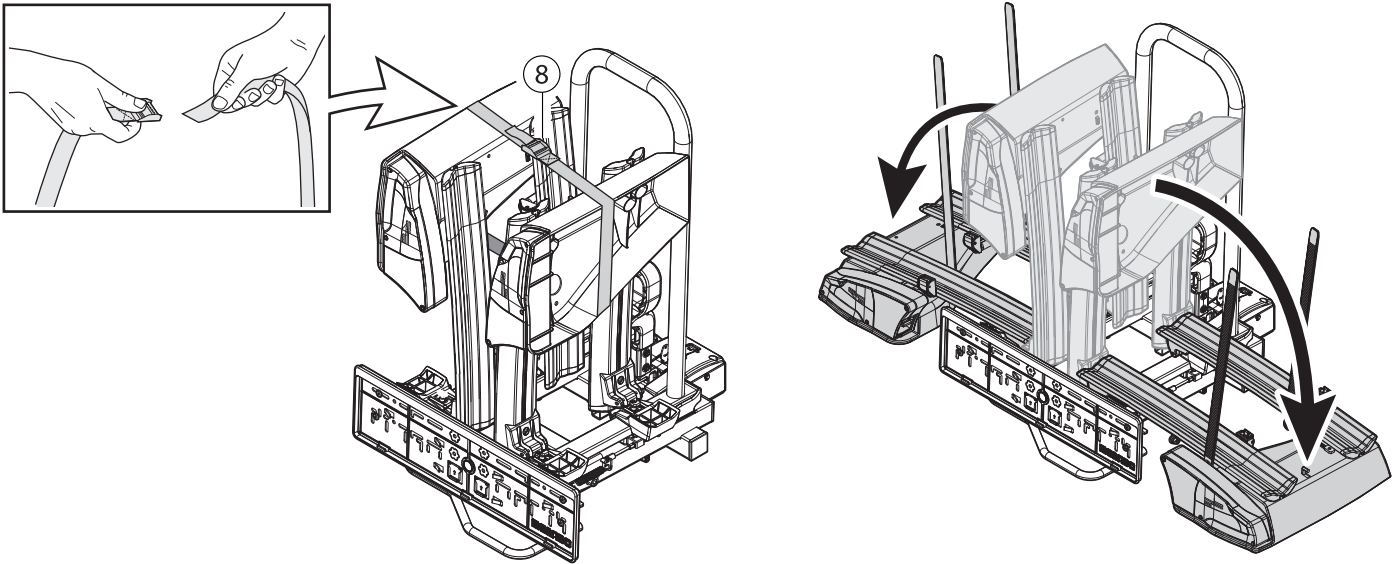
N		Q
1a		1
1b		1
2		1
3		4
13		4



②

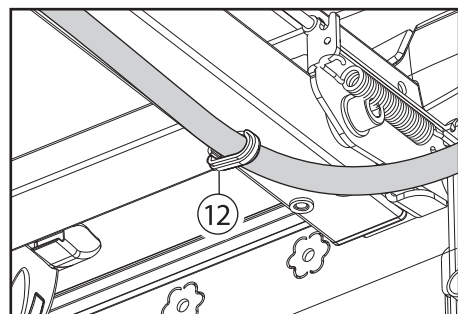
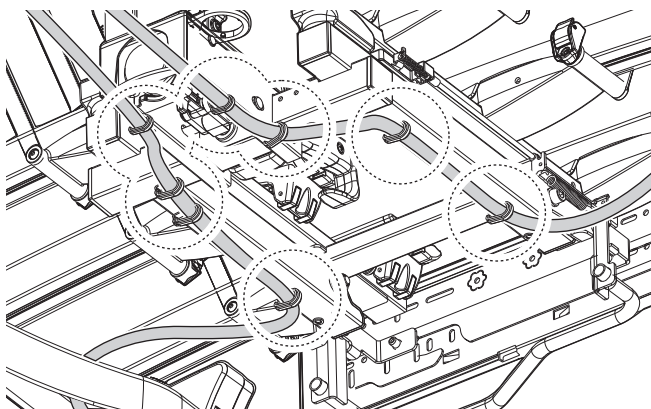
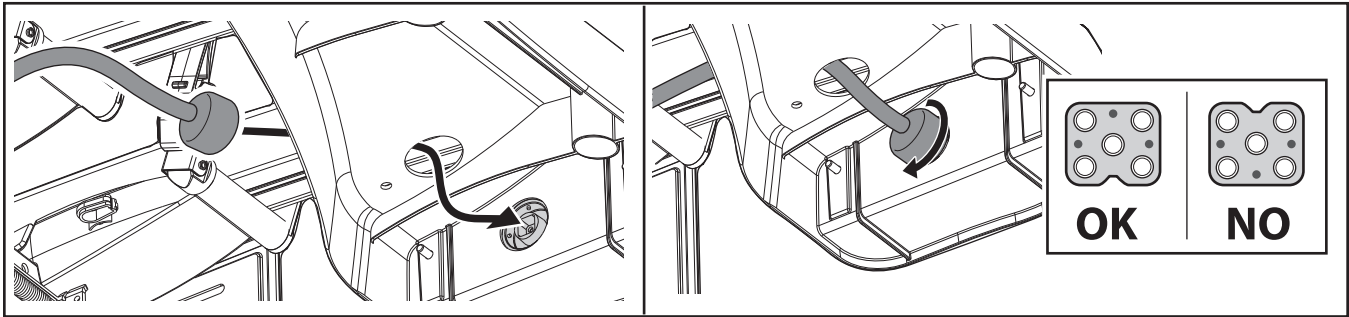
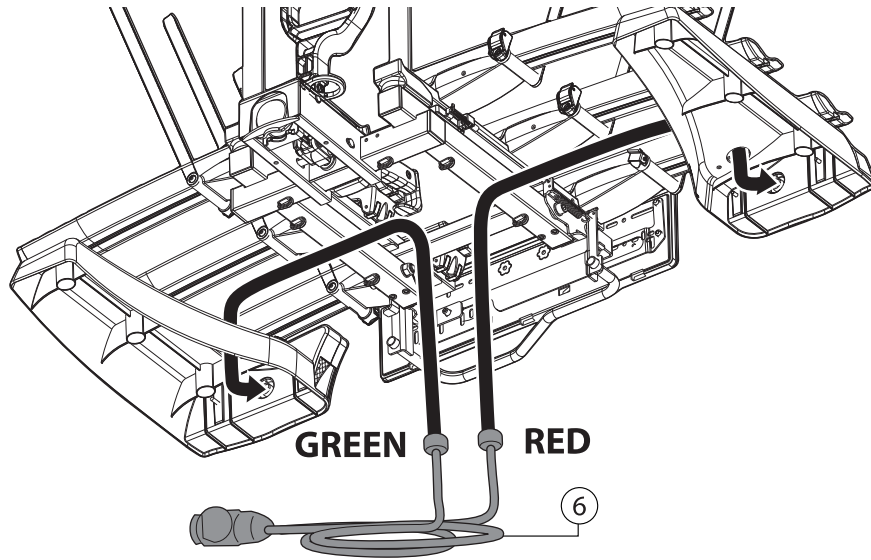


3

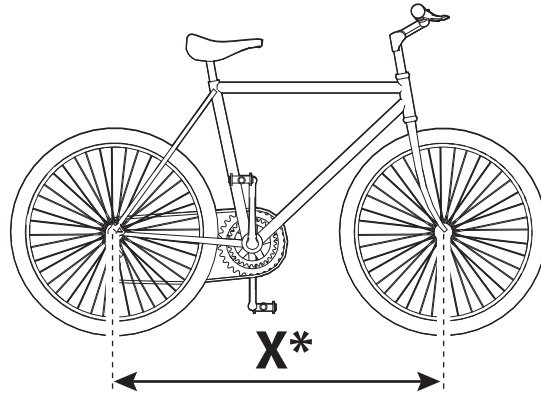


4

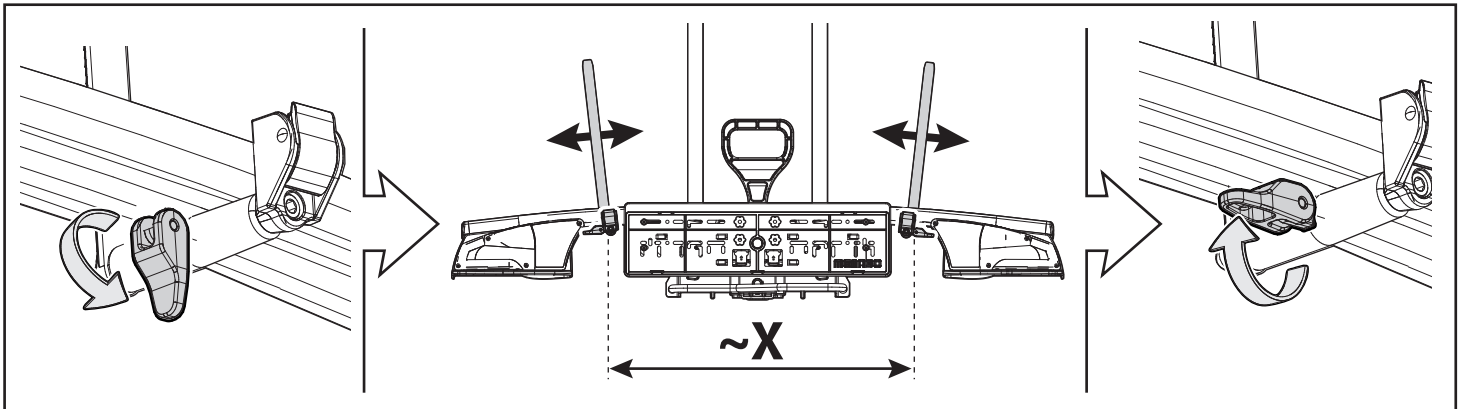
N.	Q.
6	1
12	10



5

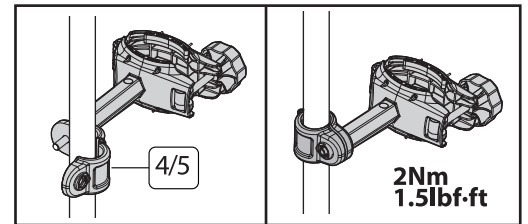
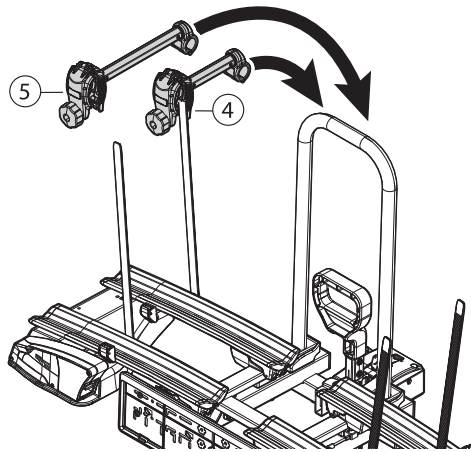


*X: Max 1130mm / 44.4"

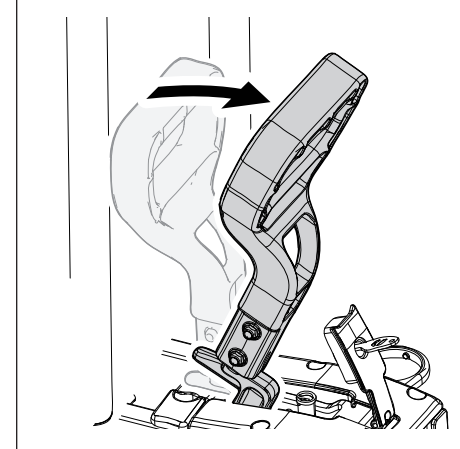
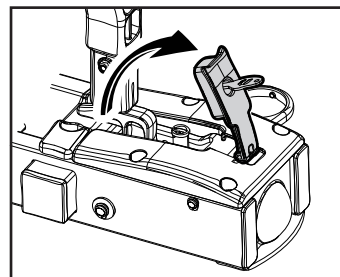
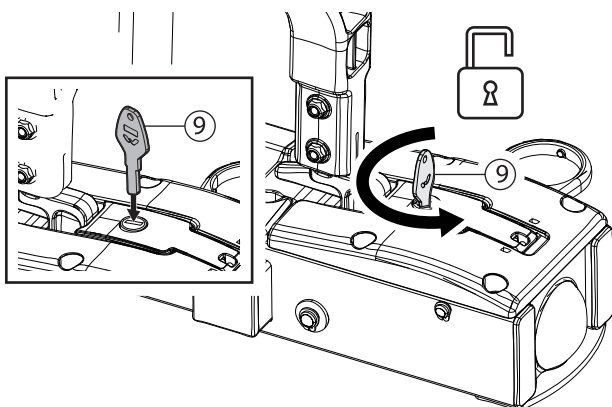



6

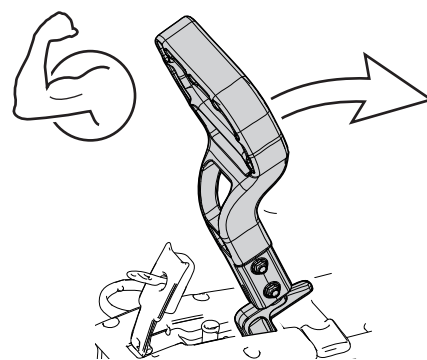
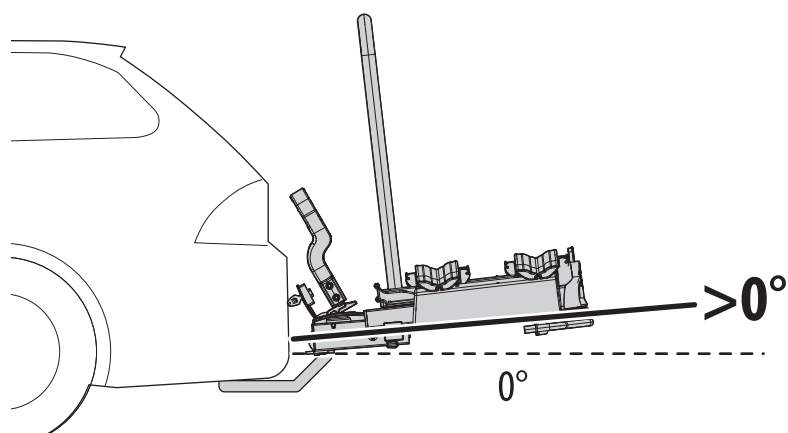
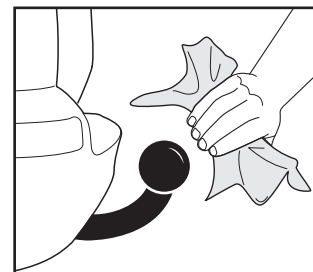
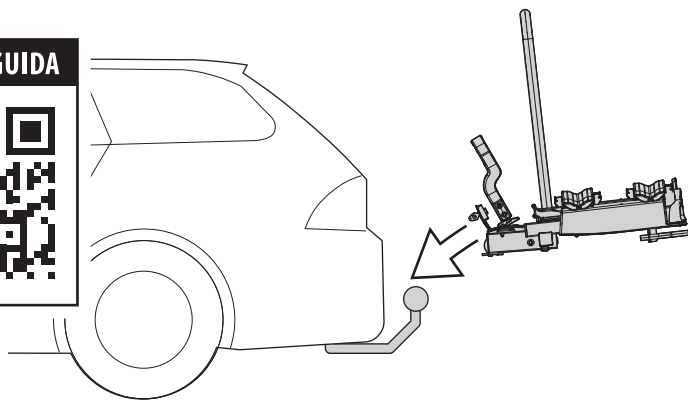
N		Q
4		1
5		1




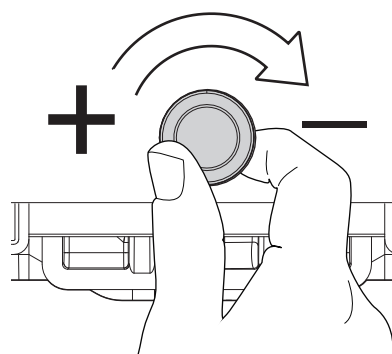



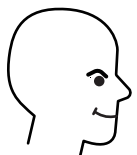
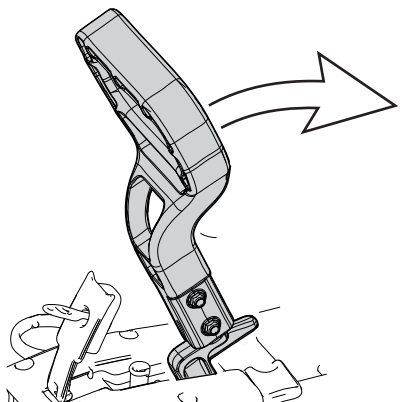
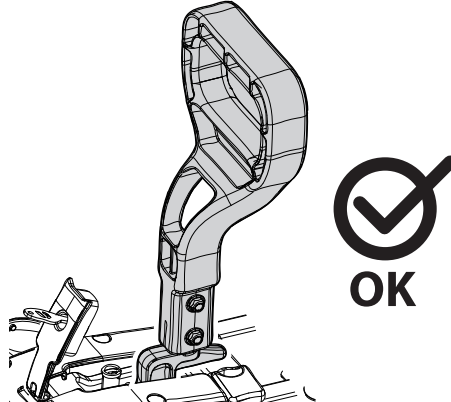
7

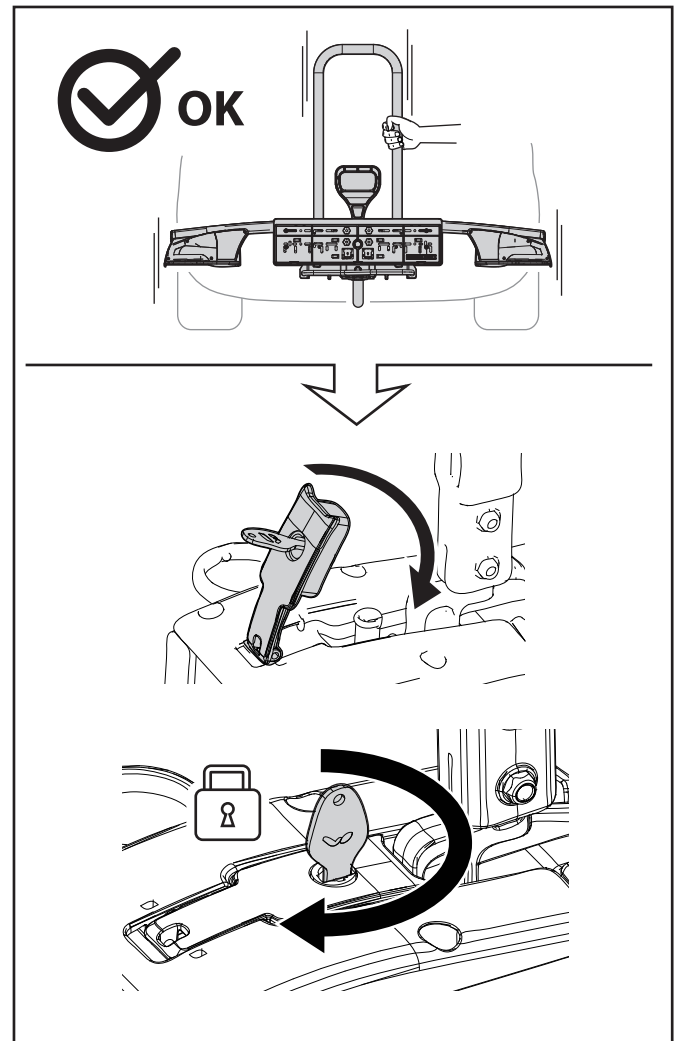
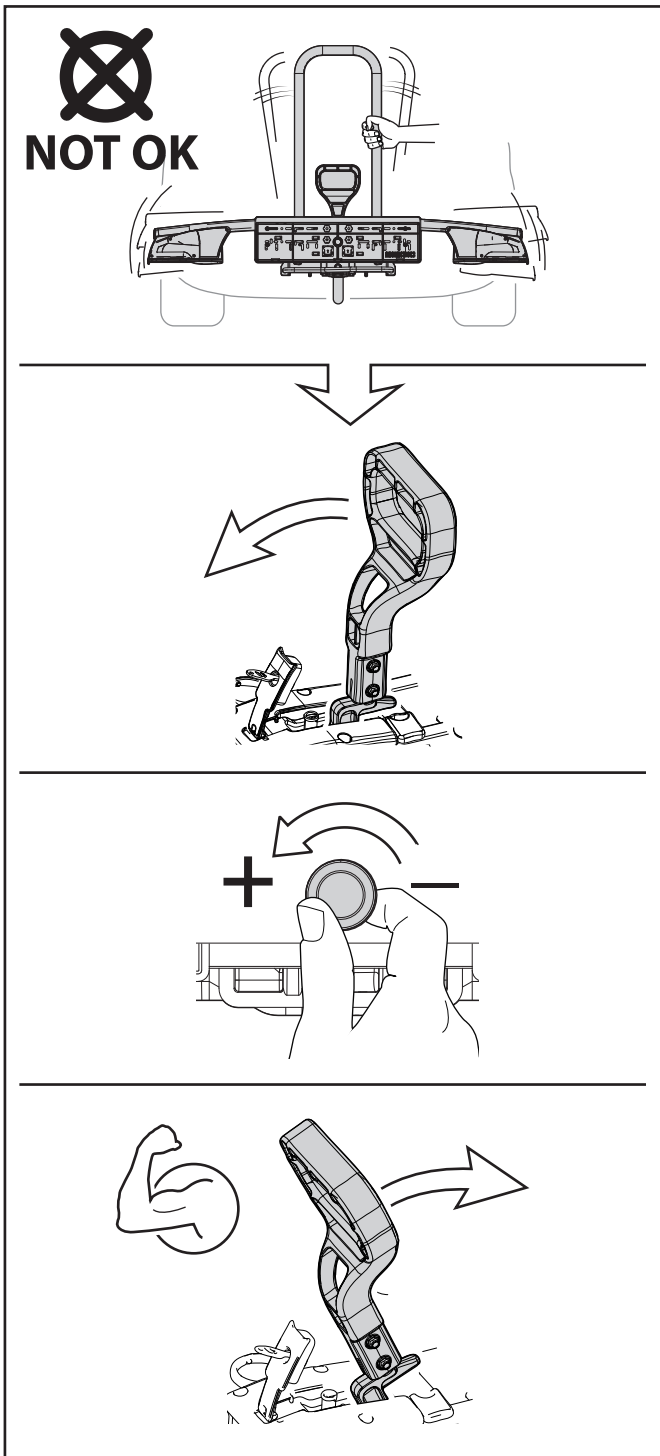
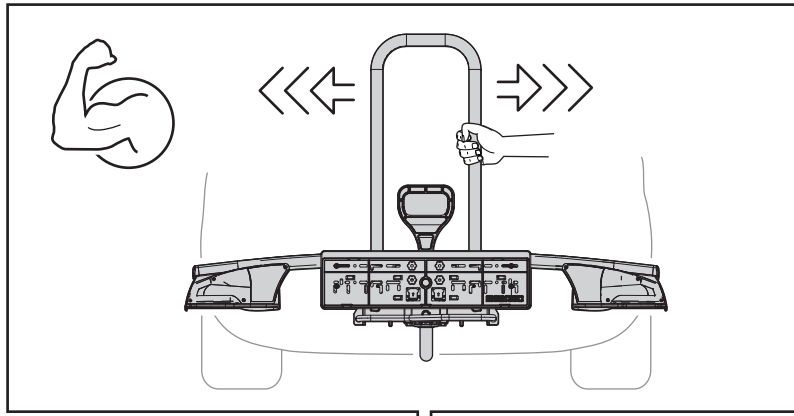


EN) VIDEO GUIDE	IT) VIDEO GUIDA
	



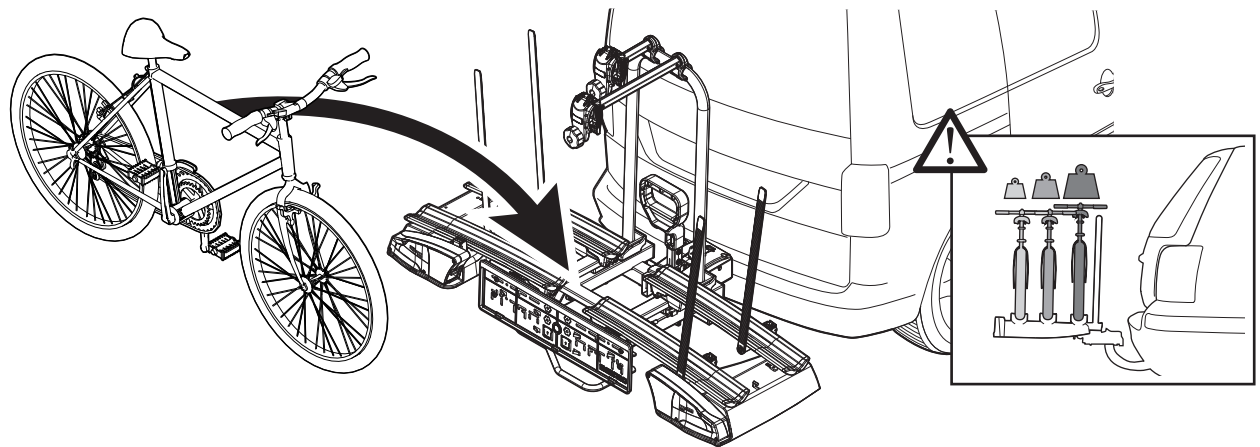
 		
--	---	---

 		
--	---	--



pag.09

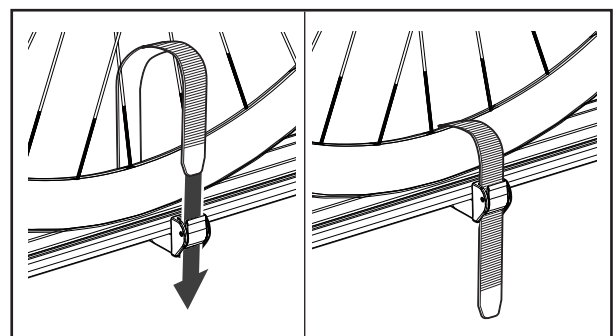
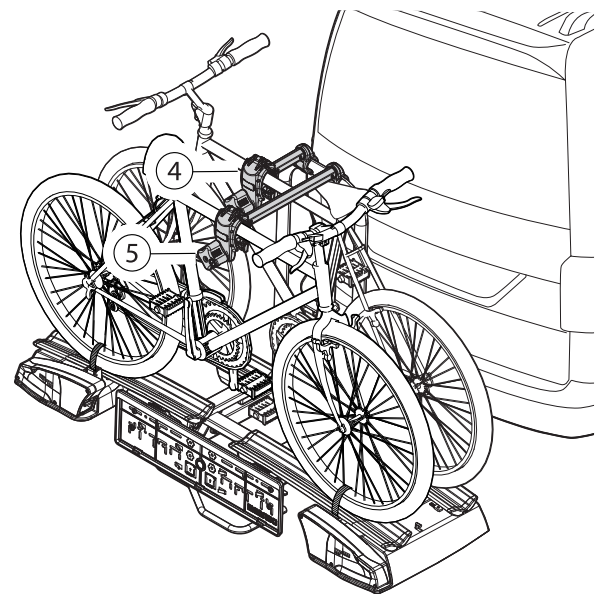
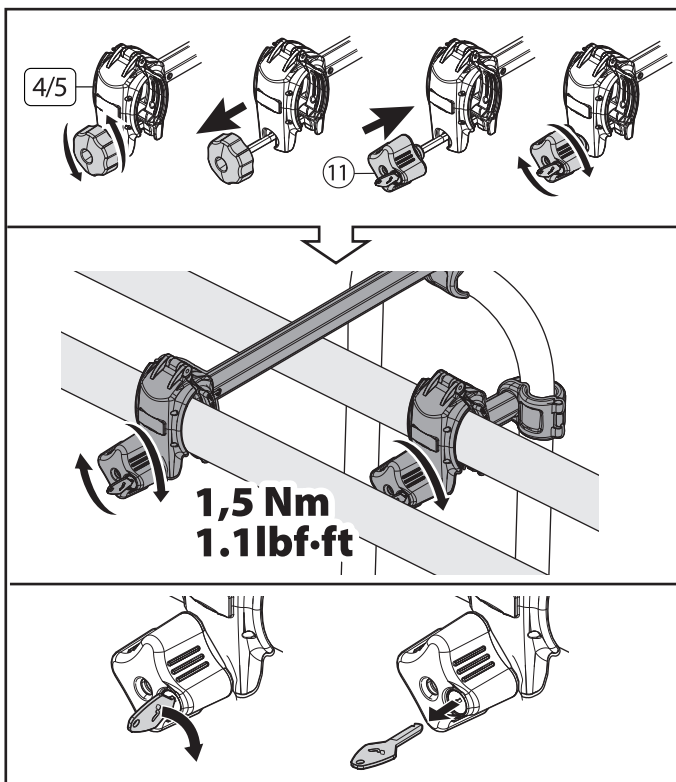
9



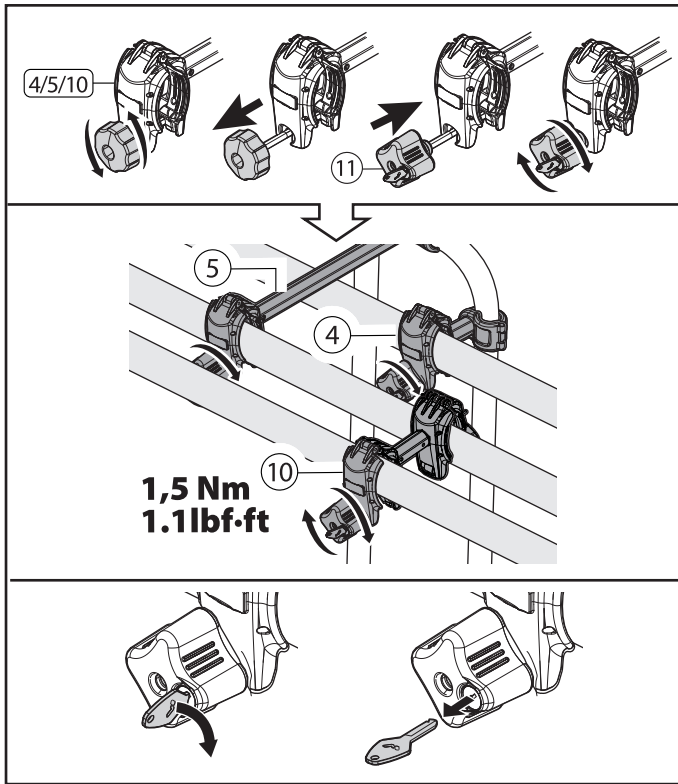
		MIN Ø30 mm / 1.2" MAX Ø50 mm / 2"	MIN 22" MAX 29"	MAX 110mm / 4.3"	MAX 1130mm / 44.4"
		MIN 30x60 mm / 1.2"x2.4" MAX 50x70 mm / 2"x2.7"			

10 ANTARES 2

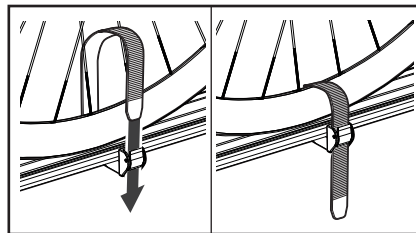
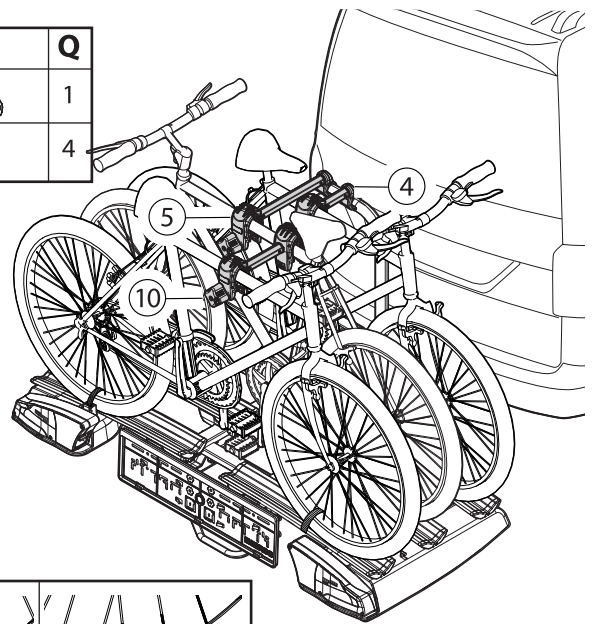
N		Q
11		2



10 ANTARES 3

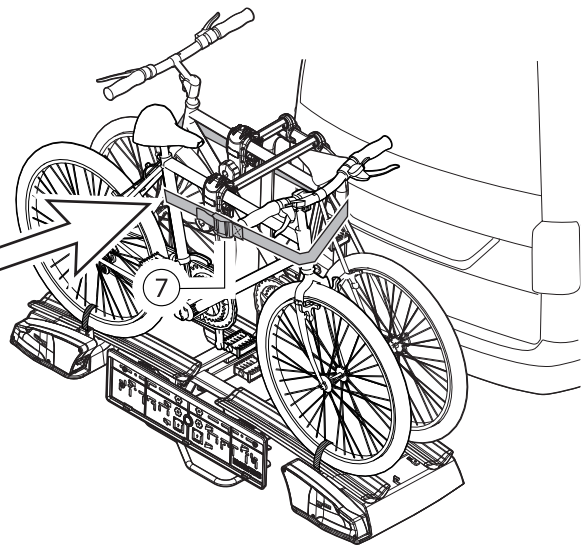
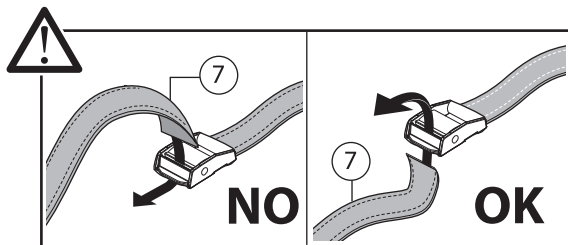


N		Q
10		1
11		4

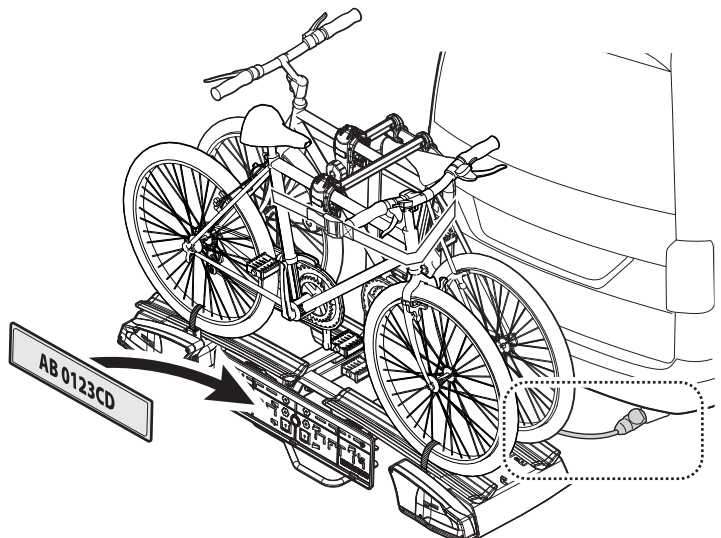
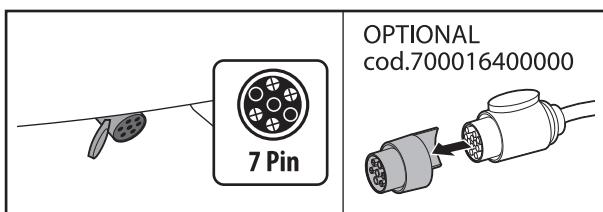
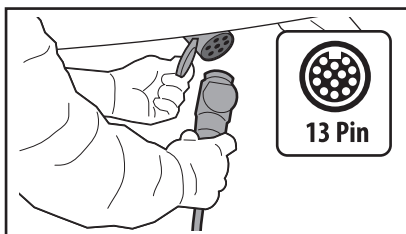


11

N.		Q.
7	2,5m - 8ft	1

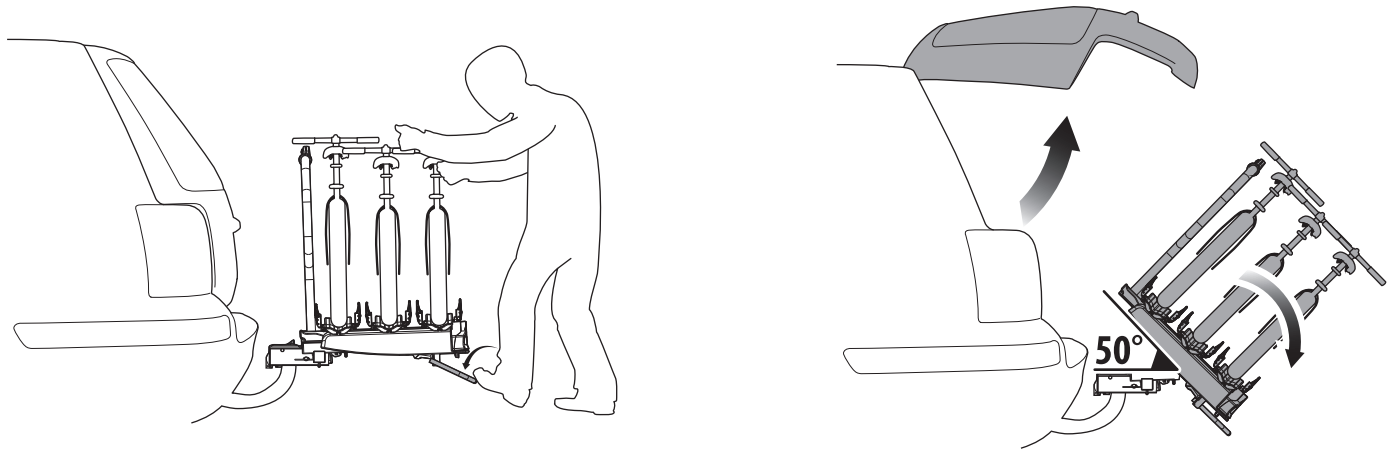


12

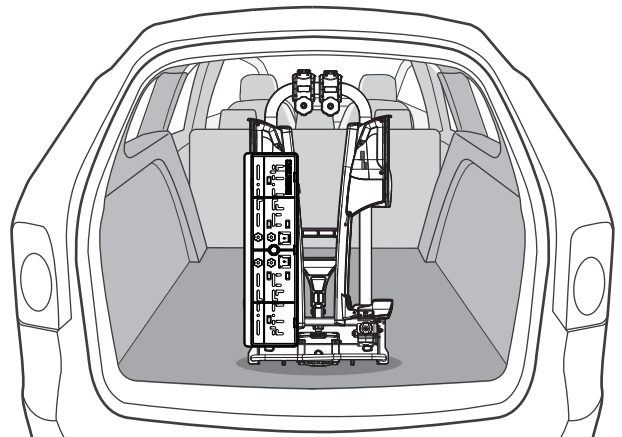
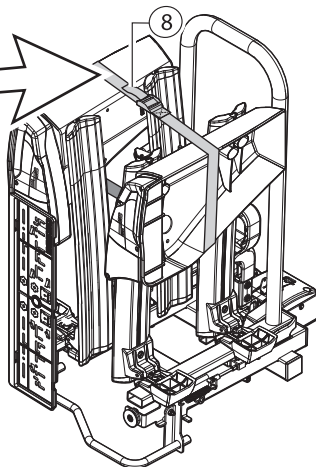
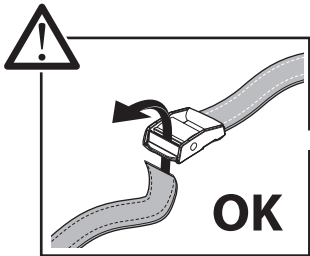
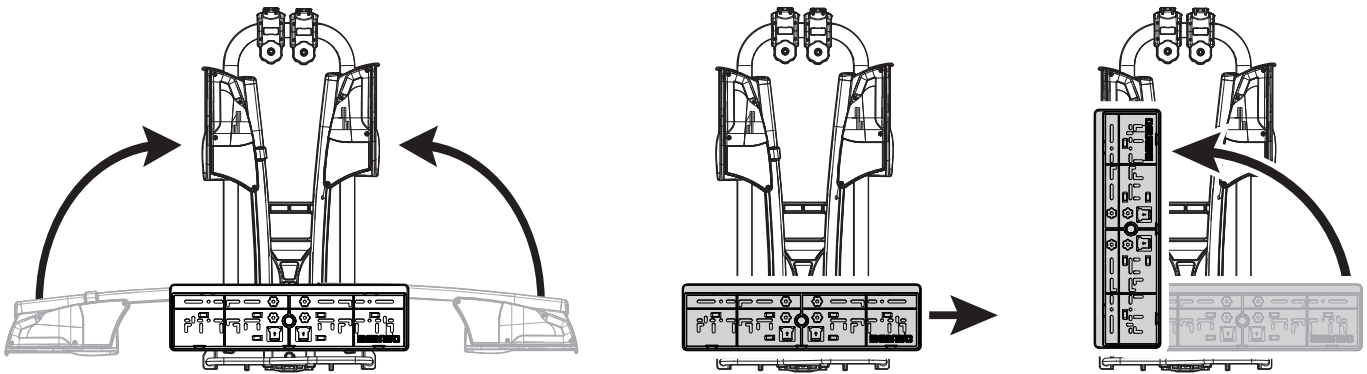


13

TILTING SYSTEM

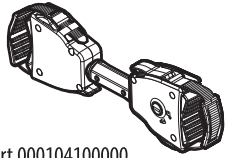


14



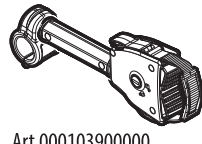
OPTIONAL

**BRACCETTO DOPPIO
DOUBLE RATCHET**



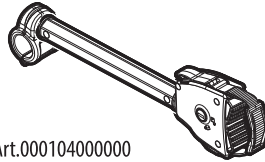
Art.000104100000

**BRACCETTO CORTO
SHORT RATCHET**



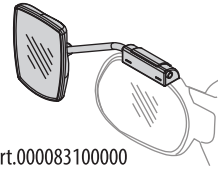
Art.000103900000

**BRACCETTO LUNGO
LONG RATCHET**



Art.000104000000

EVIDENCE MIRROR



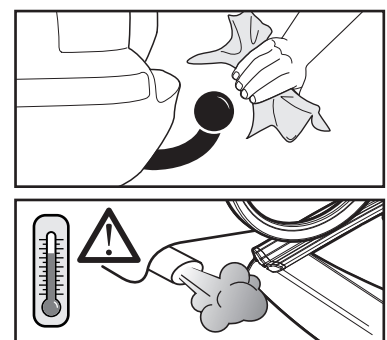
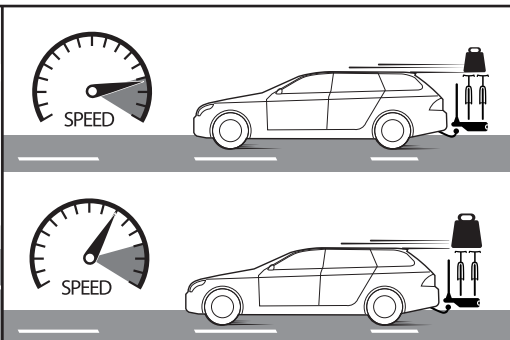
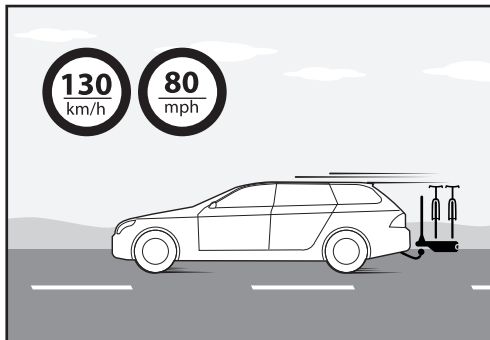
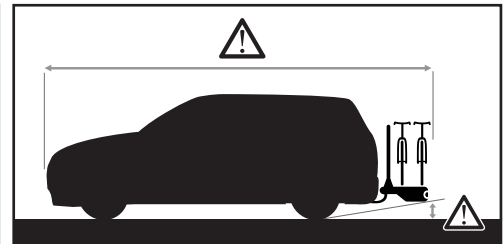
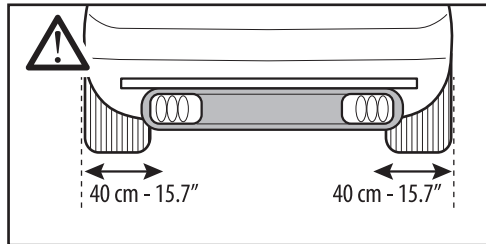
Art.000083100000

**RAMPA
RAMP**



Art.000082100000

MAX 94/20/CE STANDARD	Antares 2	x2 MAX 30kg - 66lb	Antares 3	Standard MAX 20kg - 44lb	OR E-bike MAX 30kg - 66lb	 Car Manual
	50 kg - 110lb 60 kg - 132lb 70 kg - 154.3lb 80 kg - 176.4lb >80 kg - 176.4lb	16 kg - 35.2lb	34 kg - 75lb 44 kg - 97lb 54 kg - 119lb 64 kg - 141lb 64 kg - 141lb	18,4kg - 40.5lb		



F.lli Menabò S.r.l.
Via 8 Marzo, 3 -Z.I. Corte Tegge
42025 Cavriago (RE) ITALY
customercare@flli-menabo.it
www.menabocaraccessories.com



500038900000
17/01/2024